

UTILITOUGH

DISTRIBUTOR OF AGRICULTURAL,
CONSTRUCTION & LANDSCAPE EQUIPMENT



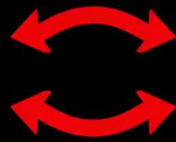
CHANGE TEETH IN MINUTES- NOT HOURS



CHANGE TEETH ON THE BENCH,
NOT UNDER THE CUTTER.



~15 MIN
CHANGE
VS. 1.5-3 HRS

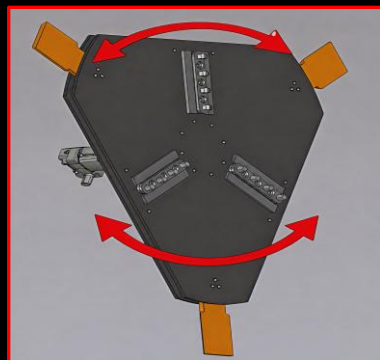
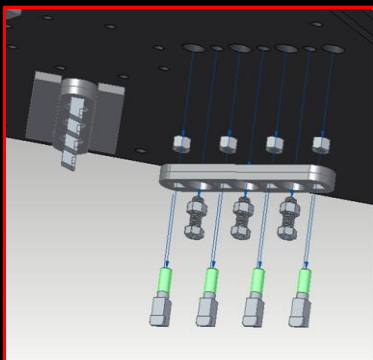


BI-DIRECTIONAL
CUTTING
WITH
MULCHING TEETH



BLADE LIFE
MORE UPTIME
LESS DOWNTIME

HOW IT WORKS



PATENT PENDING
BI-DIRECTIONAL BLADE CARRIER +
MULCHING TOOTH SYSTEM

1

REMOVE & REPLACE
TEETH

2

FLIP TOOTH
HOLDER BAR 180°
TO MATCH REVERSE
ROTATION

3

RUN THE CUTTER
IN EITHER DIRECTION



GET A QUOTE TODAY!

803-597-6890

FrontDesk@UtiliTough.com